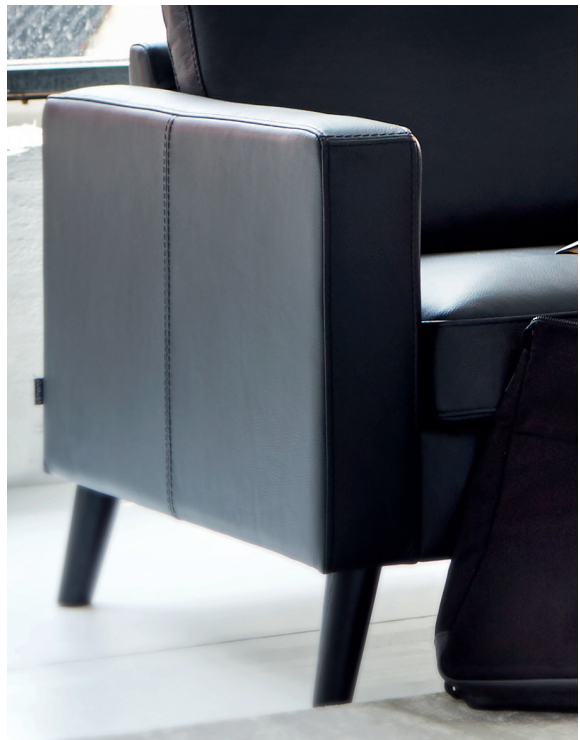


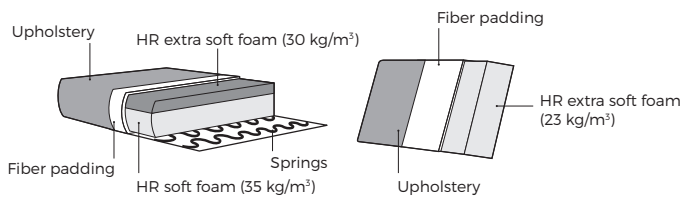
Kongsberg



Kongsberg



Comfort

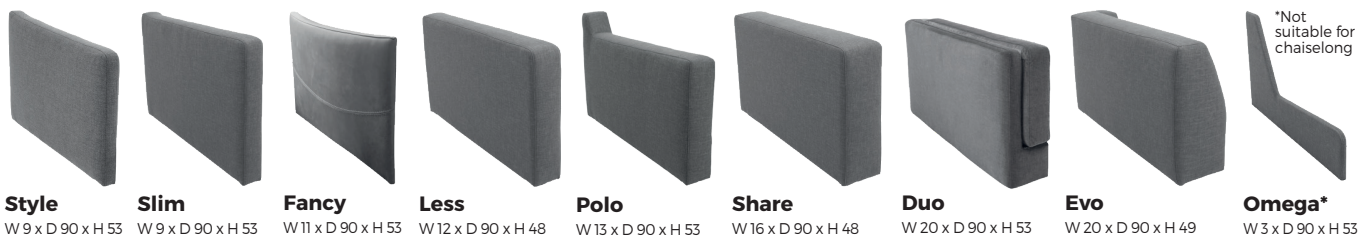


1. Upholstery



* Leather covers may require more stitches than fabric covers.

2. Armrests



*Not suitable for chaiselong

3. Legs

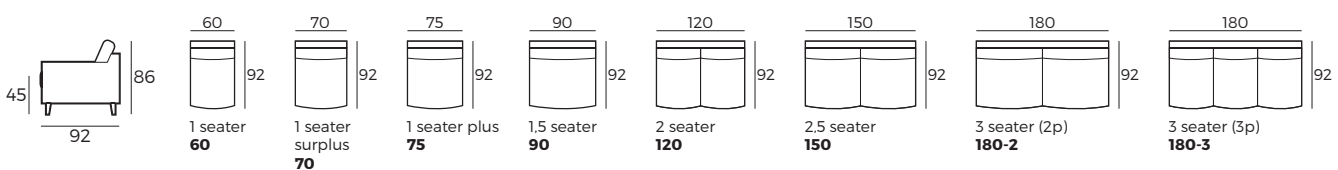


IMPORTANT:

Upholstered furniture is handmade using soft materials therefore measurements may vary up to **+/- 5 cm**.
Parts and sets shown in 2D drawings are left-sided. Parts and sets can be mirrored from left to right.
For an additional fee, the sides of each individual part can be covered in fabric.

Single parts (Measurements with Share armrest)

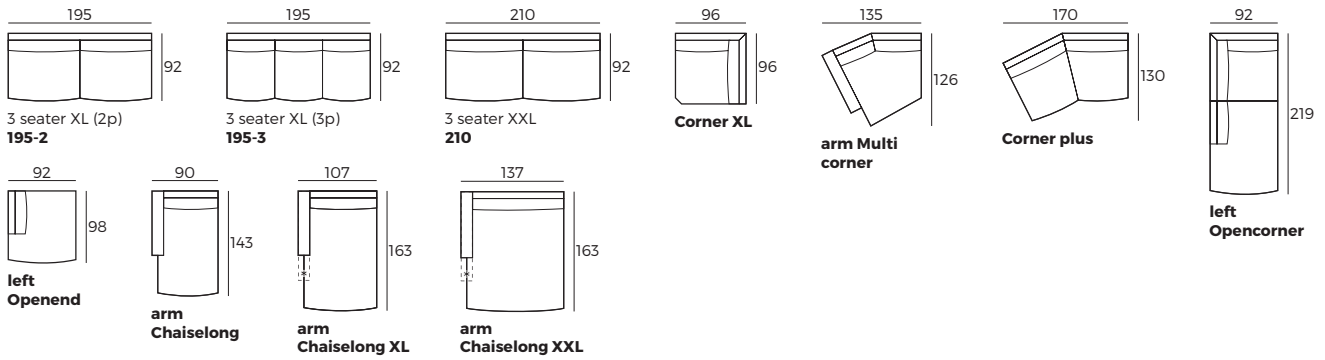
Scale 1:100



CUSTOM MADE COMFORT

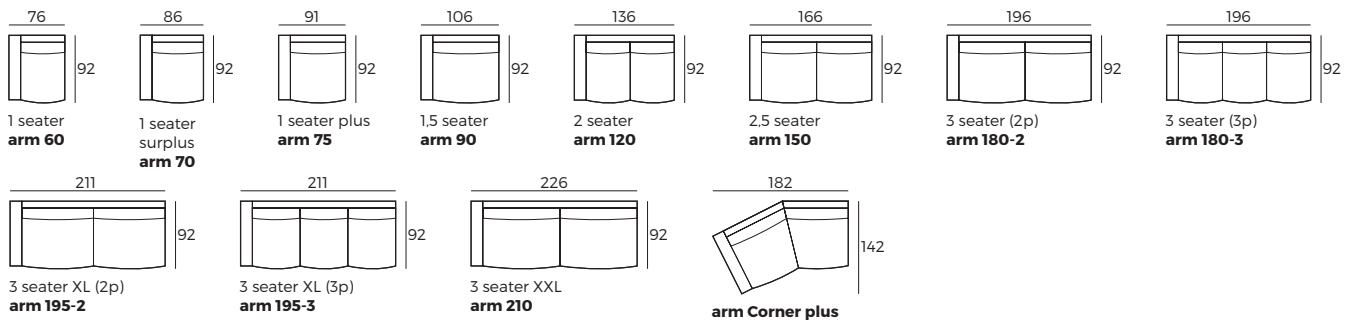
Single parts (Measurements with Share armrest)

Scale 1:100

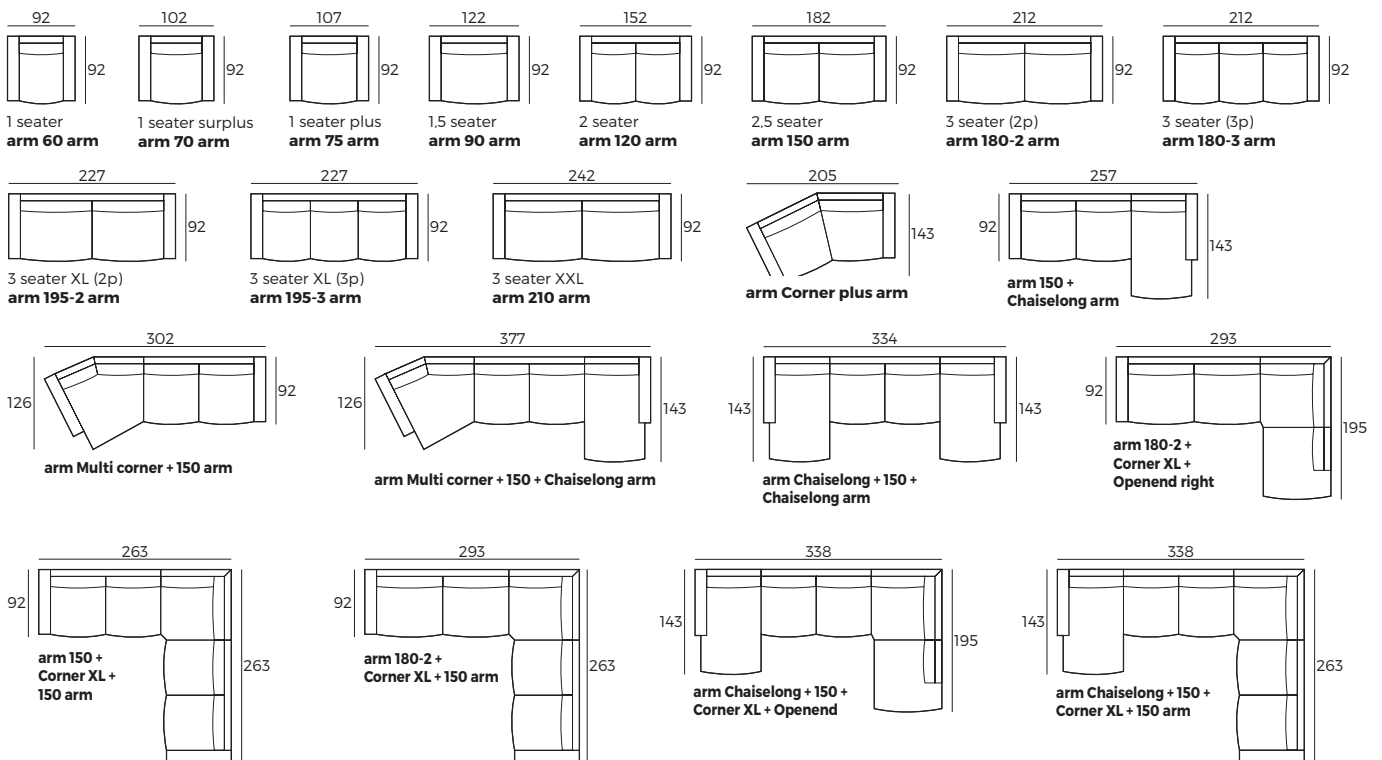


*Evo armrest will be 122 cm for this part

Half sets (Measurements with Share armrest)

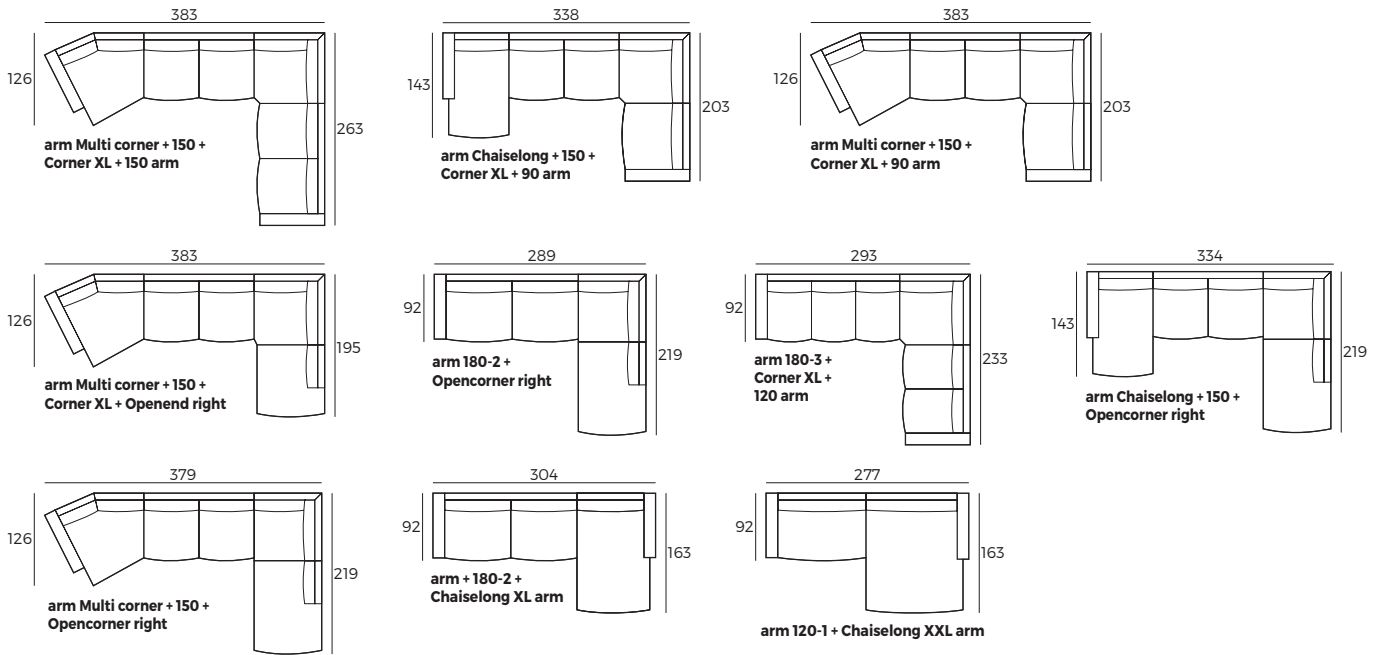


Sets (Measurements with Share armrest)



Sets (Measurements with Share armrest)

Scale 1:100



Accessories

